

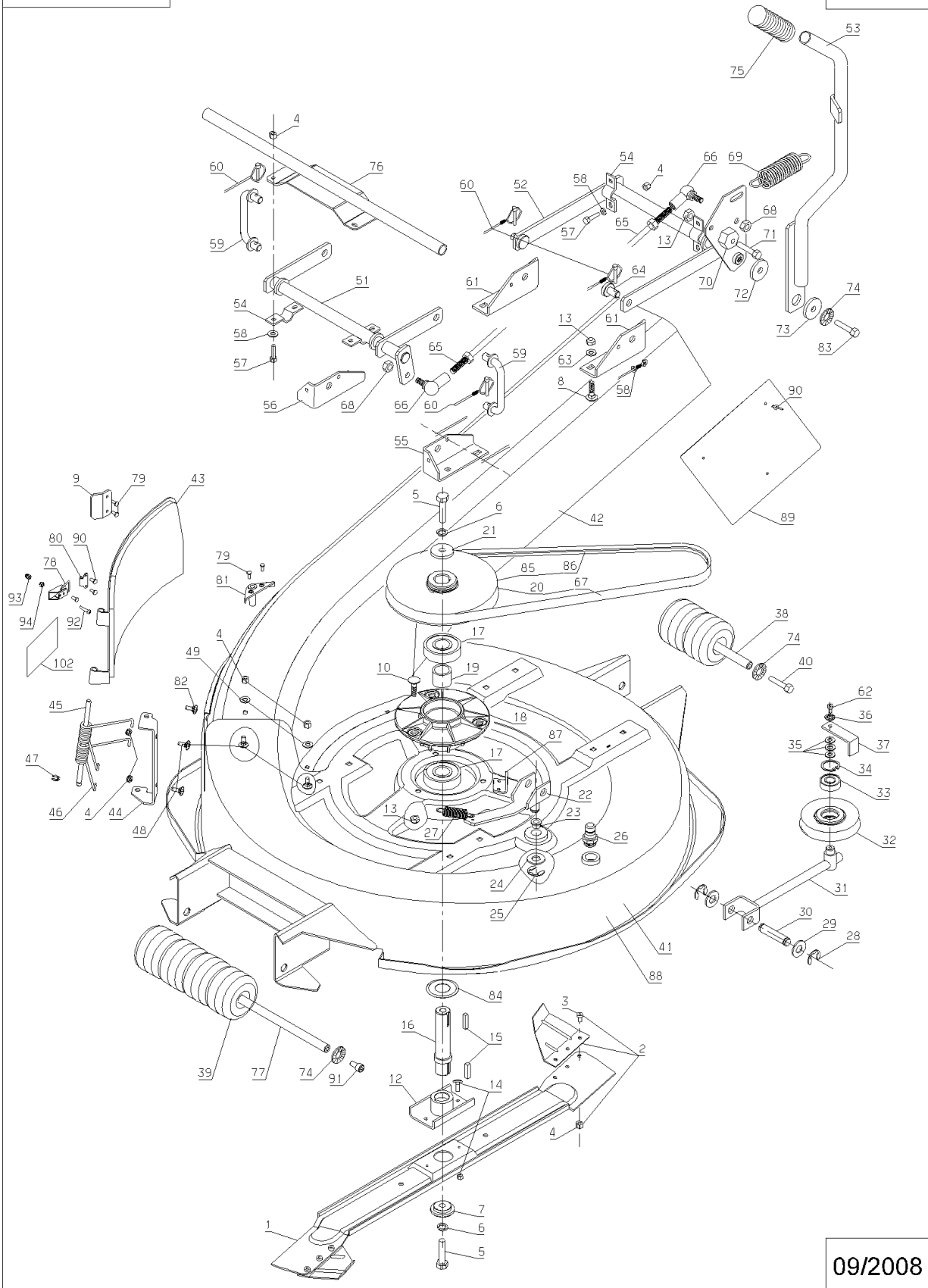
Numero	Codice	Nome	Quantità
1	MZ80	MZ80	1,000
2	28489	28489	1,000
3	36489	36489	1,000
4	71201		1,000
5	71110	71110	1,000
6	71052	71052	1,000
7	28238	28238	1,000
8	9071	9071	1,000
9	28288	28288	1,000
10	5347	5347	1,000
12	28420	28420	1,000
13	71205		1,000
14	26157	26157	1,000
15	20602	20602	1,000
16	28062	28062	1,000
17	21553	21553	1,000
18	28171	28171	1,000
19	28020	28020	1,000
20	28133	28133	1,000
21	7341	7341	1,000
22	28411	28411	1,000
23	28070	28070	1,000
24	9166	9166	1,000
25	71047	71047	1,000
26	25019	25019	1,000
27	28076	28076	1,000
28	71036	71036	1,000
29	71034	71034	1,000
30	25126	25126	1,000
31	50870	50870	1,000
32	25509	25509	1,000
33	25112	25112	1,000
34	71039	71039	1,000
35	22029	22029	1,000
36	71049	71049	1,000
37	28284	28284	1,000
38	28316	28316	1,000
39	28123	28123	1,000
40	6169	6169	1,000
41	28405	28405	1,000
42	39469	39469	1,000

Numero	Codice	Nome	Quantità
43	28230	28230	1,000
44	28233	28233	1,000
45	28231	28231	1,000
46	28245	28245	1,000
47	5602	5602	1,000
48	21608	21608	1,000
51	28419	28419	1,000
52	37618	37618	1,000
53	28429	28429	1,000
54	25711	25711	1,000
55	28038	28038	1,000
56	28127	28127	1,000
57	71239	71239	1,000
58	2235	2235	1,000
59	28113	28113	1,000
60	28075	28075	1,000
61	28045	28045	1,000
62	20507	20507	1,000
63	7035	7035	1,000
64	28208	28208	1,000
65	28119	28119	1,000
66	28047	28047	1,000
67	28729	28729	1,000
68	9017	9017	1,000
69	25425	25425	1,000
70	28040	28040	1,000
71	9061	9061	1,000
72	7330	7330	1,000
73	20021	20021	1,000
74	71343	71343	1,000
75	28118	28118	1,000
76	28427	28427	1,000
77	28315	28315	1,000
78	37074	37074	1,000
79	71114	71114	1,000
80	37085	37085	1,000
81	28386	28386	1,000
82	5496	5496	1,000
83	71413	71413	1,000
84	28530	28530	1,000
85	28391	28391	1,000

Numero	Codice	Nome	Quantità
86	28446	28446	1,000
87	28448	28448	1,000
88	28872	28872	1,000
89	28504	28504	1,000
90	71113	71113	1,000
91	71372	71372	1,000
92	37072	37072	1,000
93	37073	37073	1,000
94	21525	21525	1,000
102	13089	13089	1,000

MBHE - MHHE - MKHE

105.01



09/2008

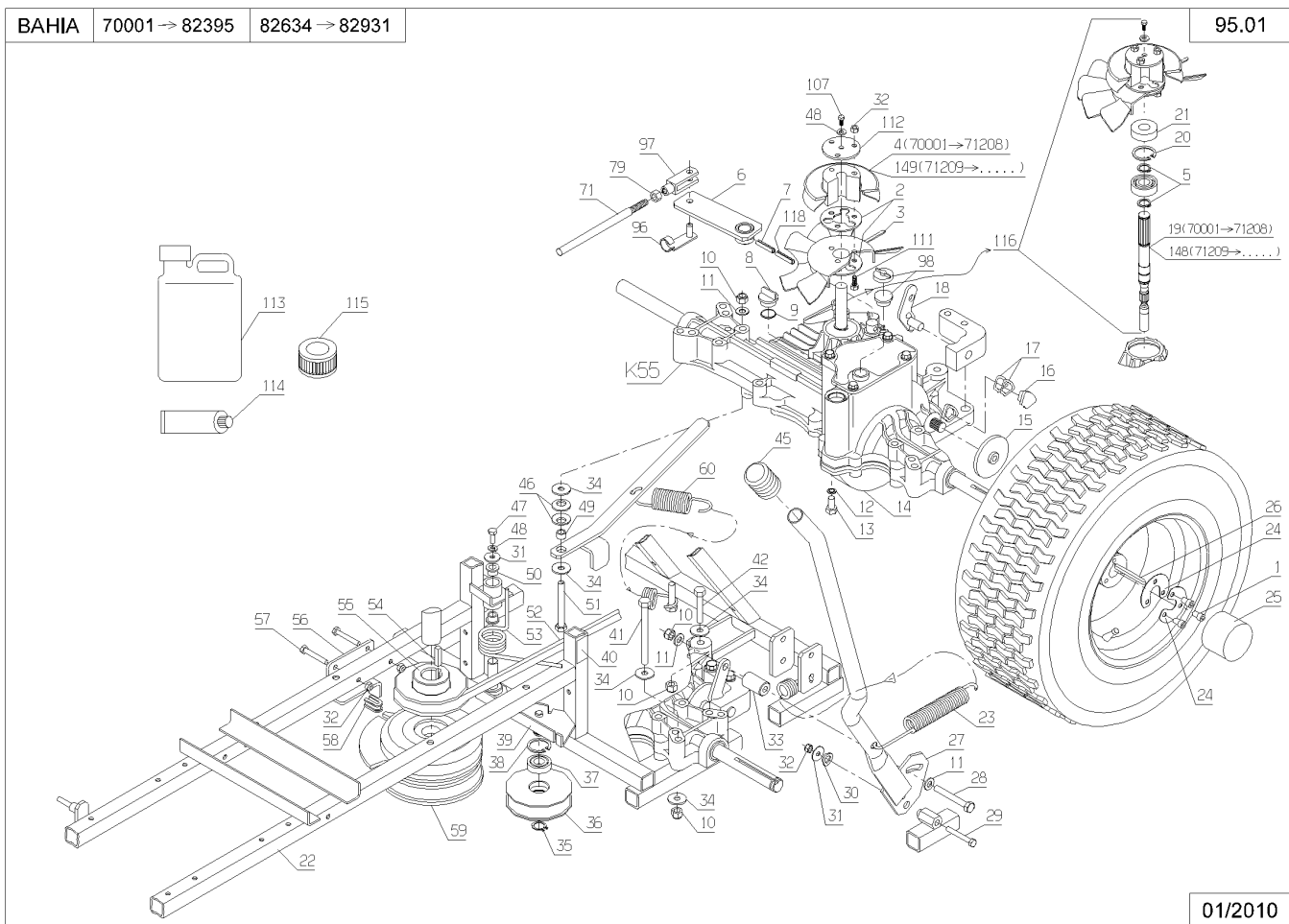
Numero	Codice	Nome	Quantità
1	71072	71072	1,000
2	28535	28535	1,000
4	28534	28534	1,000
5	37997	37997	1,000
6	5604	5604	1,000
7	28532	28532	1,000
8	28529	28529	1,000
9	28508	28508	1,000
10	71205		1,000
11	28076	28076	1,000
12	28256	28256	1,000
13	28249	28249	1,000
14	28512	28512	1,000
15	28500	28500	1,000
16	52175		1,000
17	52174		1,000
18	51189	51189	1,000
19	28525	28525	1,000
20	28516	28516	1,000
21	28507	28507	1,000
22	7335		1,000
23	71418	71418	1,000
24	28509	28509	1,000
25	25176	25176	1,000
26	20507	20507	1,000
27	2235	2235	1,000
28	28558	28558	1,000
29	71439	71439	1,000
30	28629	28629	1,000
31	22029	22029	1,000
32	71201		1,000
33	28538	28538	1,000
34	7035	7035	1,000
35	71047	71047	1,000
36	35141	35141	1,000
37	9022	9022	1,000
38	21256	21256	1,000
39	28539	28539	1,000
40	13016	13016	1,000
41	71199	71199	1,000
42	5340	5340	1,000

Numero	Codice	Nome	Quantità
43	28540	28540	1,000
44	28541	28541	1,000
45	28100	28100	1,000
46	28488	28488	1,000
48	71049	71049	1,000
49	28543	28543	1,000
50	37059	37059	1,000
51	28544	28544	1,000
52	28545	28545	1,000
53	25511	25511	1,000
54	71007	71007	1,000
55	28011	28011	1,000
56	28072	28072	1,000
57	22456	22456	1,000
58	28078	28078	1,000
59	28135	28135	1,000
60	28546	28546	1,000
62	21270	21270	1,000
63	24717	24717	1,000
64	28274	28274	1,000
65	5602	5602	1,000
66	28143	28143	1,000
67	23632	23632	1,000
68	25900	25900	1,000
69	71018	71018	1,000
70	37561	37561	1,000
72	28139	28139	1,000
73	28188	28188	1,000
74	28167	28167	1,000
75	71231	71231	1,000
76	28131	28131	1,000
77	21608	21608	1,000
78	28286	28286	1,000
79	2020	2020	1,000
80	25711	25711	1,000
81	28234	28234	1,000
82	28227	28227	1,000
83	28312	28312	1,000
85	28431	28431	1,000
86	28432	28432	1,000
87	24684	24684	1,000

Numero	Codice	Nome	Quantità
88	28584	28584	1,000
89	28576	28576	1,000
90	28492	28492	1,000
91	37715	37715	1,000
92	71014	71014	1,000
96	71169	71169	1,000
97	71077	71077	1,000
98	28603	28603	1,000
99	25728	25728	1,000
100	71355	71355	1,000
101	28583	28583	1,000
107	20693	20693	1,000
113	26785	26785	1,000
114	28462	28462	1,000
115	28336	28336	1,000
118	28556	28556	1,000
119	28555	28555	1,000
120	71336	71336	1,000
121	9017	9017	1,000
122	28566	28566	1,000
123	28564	28564	1,000
124	28560	28560	1,000
125	28563	28563	1,000
126	28605	28605	1,000

Numero	Codice	Nome	Quantità
1	71072	71072	1,000
2	28385	28385	1,000
3	28142	28142	1,000
4	28248	28248	1,000
5	71202	71202	1,000
6	28423	28423	1,000
7	71013	71013	1,000
8	28183	28183	1,000
9	28196	28196	1,000
10	71205		1,000
11	7335		1,000
12	28256	28256	1,000
13	28249	28249	1,000
14	28003	28003	1,000
15	28213	28213	1,000
16	28221	28221	1,000
17	28257	28257	1,000
18	28222	28222	1,000
20	71039	71039	1,000
21	28235	28235	1,000
22	28406	28406	1,000
23	28184	28184	1,000
24	52174		1,000
25	25176	25176	1,000
26	71226	71226	1,000
27	28416	28416	1,000
28	20513	20513	1,000
29	71239	71239	1,000
30	20561	20561	1,000
31	22029	22029	1,000
32	71201		1,000
33	28166	28166	1,000
34	7035	7035	1,000
35	71047	71047	1,000
36	35141	35141	1,000
37	9022	9022	1,000
38	21256	21256	1,000
39	28407	28407	1,000
40	13016	13016	1,000
41	71199	71199	1,000
42	5340	5340	1,000

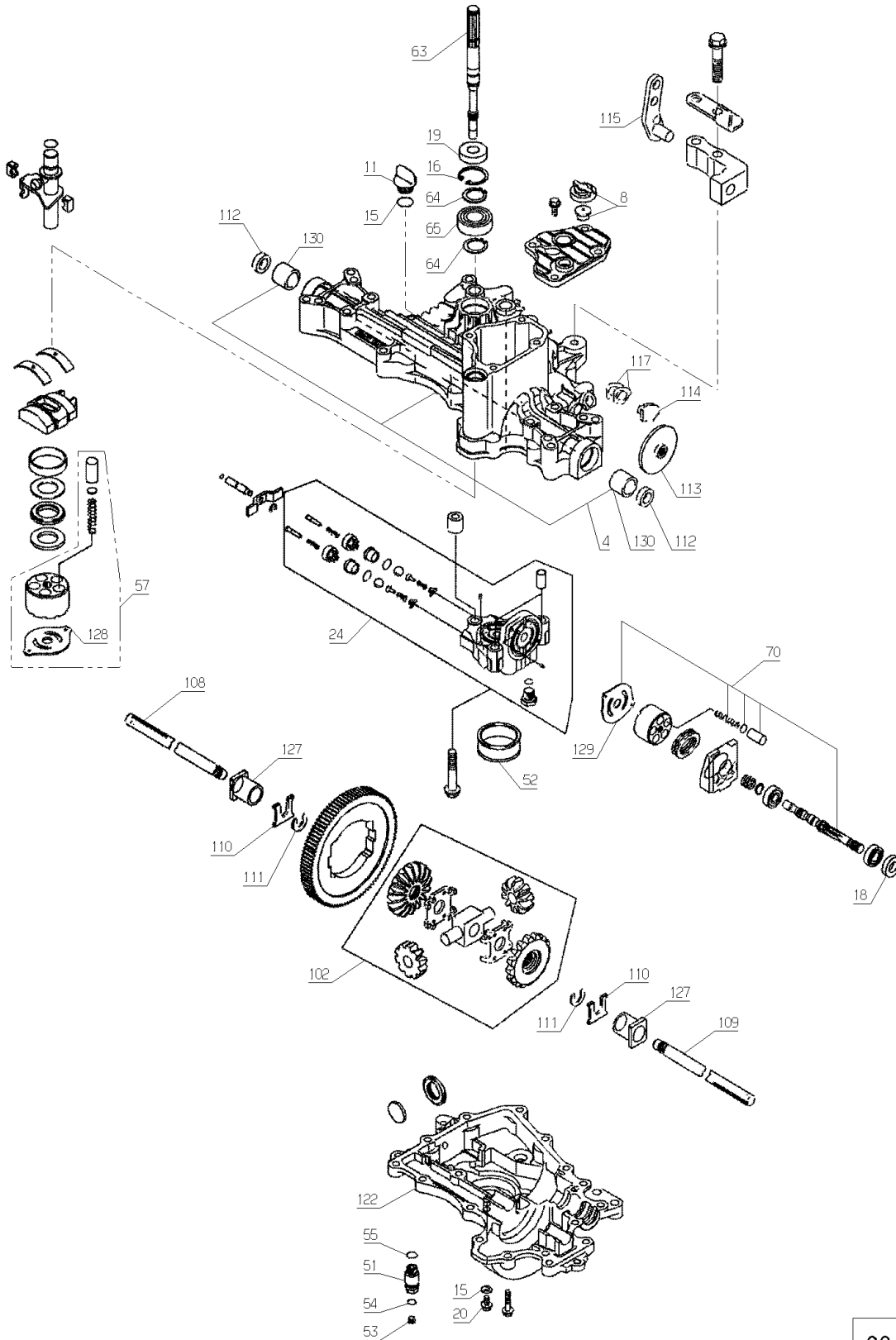
Numero	Codice	Nome	Quantità
44	28421	28421	1,000
45	28100	28100	1,000
46	28198	28198	1,000
47	37997	37997	1,000
48	71049	71049	1,000
49	28193	28193	1,000
50	5455	5455	1,000
51	71068	71068	1,000
52	28012	28012	1,000
53	25511	25511	1,000
54	71007	71007	1,000
55	28011	28011	1,000
56	28072	28072	1,000
57	22456	22456	1,000
58	28078	28078	1,000
59	28135	28135	1,000
60	28185	28185	1,000
71	28048	28048	1,000
79	2020	2020	1,000
96	71169	71169	1,000
97	71077	71077	1,000
98	28258	28258	1,000
107	20693	20693	1,000
111	71288	71288	1,000
112	28378	28378	1,000
113	26785	26785	1,000
114	28462	28462	1,000
115	28336	28336	1,000
118	71014	71014	1,000
148	28379	28379	1,000
149	28380	28380	1,000



Numero	Codice	Nome	Quantità
4	28376	28376	1,000
8	28258	28258	1,000
11	28183	28183	1,000
15	28256	28256	1,000
16	71039	71039	1,000
18	28458	28458	1,000
19	28235	28235	1,000
20	28249	28249	1,000
24	28618	28618	1,000
51	28621	28621	1,000
52	28336	28336	1,000
53	28622	28622	1,000
54	28624	28624	1,000
55	28623	28623	1,000
57	28616	28616	1,000
63	28379	28379	1,000
64	71202	71202	1,000
65	40465	40465	1,000
70	28617	28617	1,000
102	28457	28457	1,000
108	28570	28570	1,000
109	28571	28571	1,000
110	34565	34565	1,000
111	34566	34566	1,000
112	28569	28569	1,000
113	28213	28213	1,000
114	28221	28221	1,000
115	28222	28222	1,000
117	28257	28257	1,000
122	28375	28375	1,000
127	28374	28374	1,000
128	28615	28615	1,000
129	28614	28614	1,000
130	28377	28377	1,000

BAHIA K55

89.01

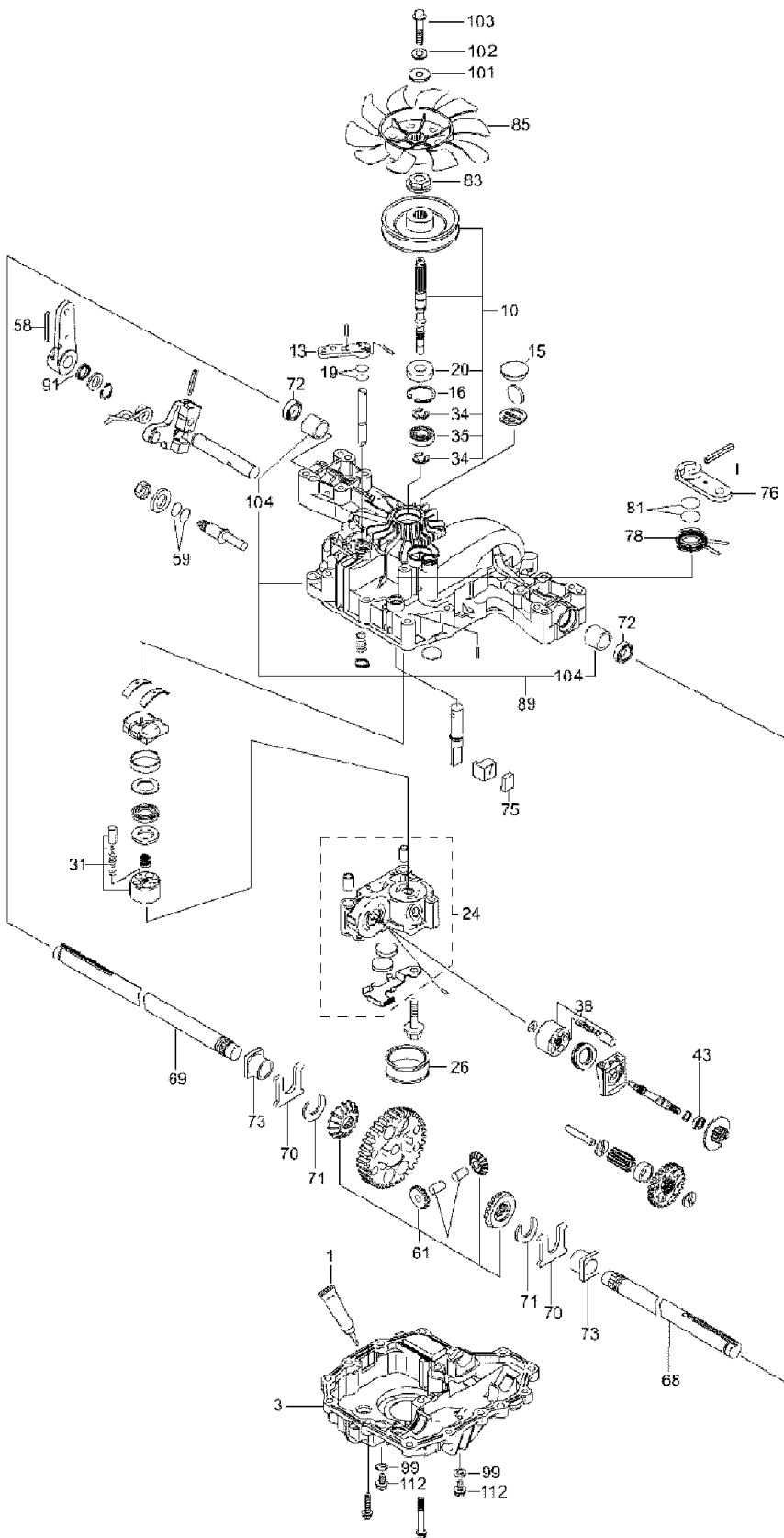


03/2009

Numero	Codice	Nome	Quantità
1	28462	28462	1,000
3	28372	28372	1,000
10	28488	28488	1,000
13	28545	28545	1,000
15	30581	30581	1,000
16	71039	71039	1,000
19	28625	28625	1,000
20	28235	28235	1,000
24	28626	28626	1,000
26	28336	28336	1,000
31	28627	28627	1,000
34	28544	28544	1,000
35	40465	40465	1,000
38	28628	28628	1,000
43	25112	25112	1,000
58	28629	28629	1,000
59	28623	28623	1,000
61	28630	28630	1,000
68	28631	28631	1,000
69	28632	28632	1,000
70	34565	34565	1,000
71	34567	34567	1,000
72	28569	28569	1,000
73	28371	28371	1,000
75	28633	28633	1,000
76	28539	28539	1,000
78	28538	28538	1,000
81	28634	28634	1,000
83	28540	28540	1,000
85	28541	28541	1,000
89	28373	28373	1,000
91	28635	28635	1,000
99	28256	28256	1,000
101	38886	38886	1,000
102	38885	38885	1,000
103	38884	38884	1,000
104	28377	28377	1,000
112	28249	28249	1,000

K46

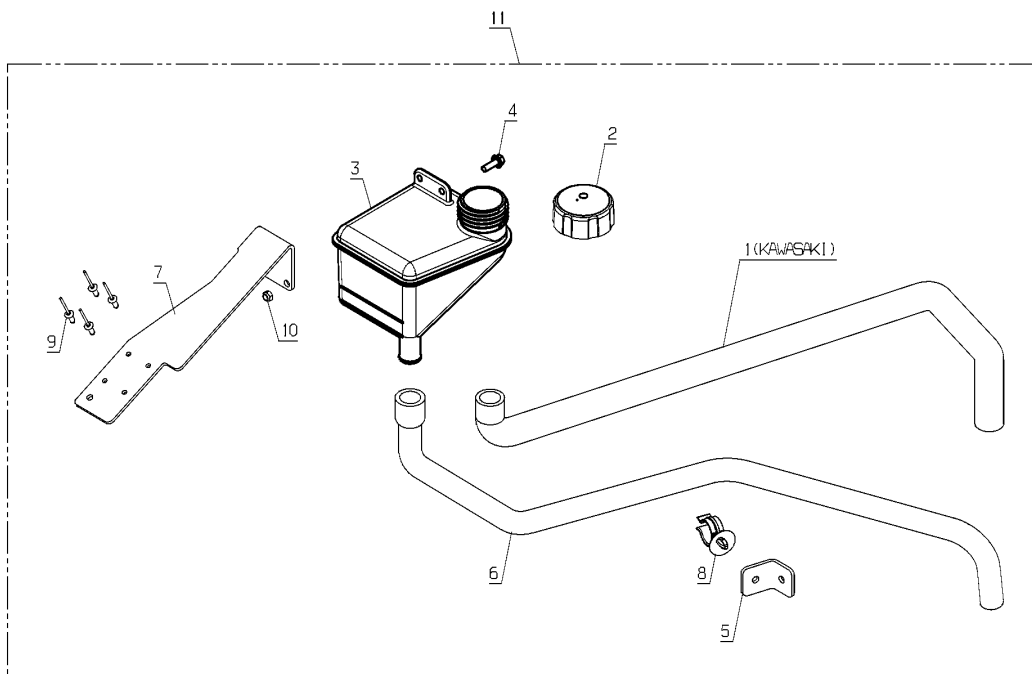
89.02



03/2010

Numero	Codice	Nome	Quantità
1	28532	28532	1,000
2	36382	36382	1,000
3	36569	36569	1,000
4	37996	37996	1,000
5	38062	38062	1,000
6	38355	38355	1,000
7	38390	38390	1,000
8	38413	38413	1,000
9	71114	71114	1,000
10	37561	37561	1,000
11	38388	38388	1,000

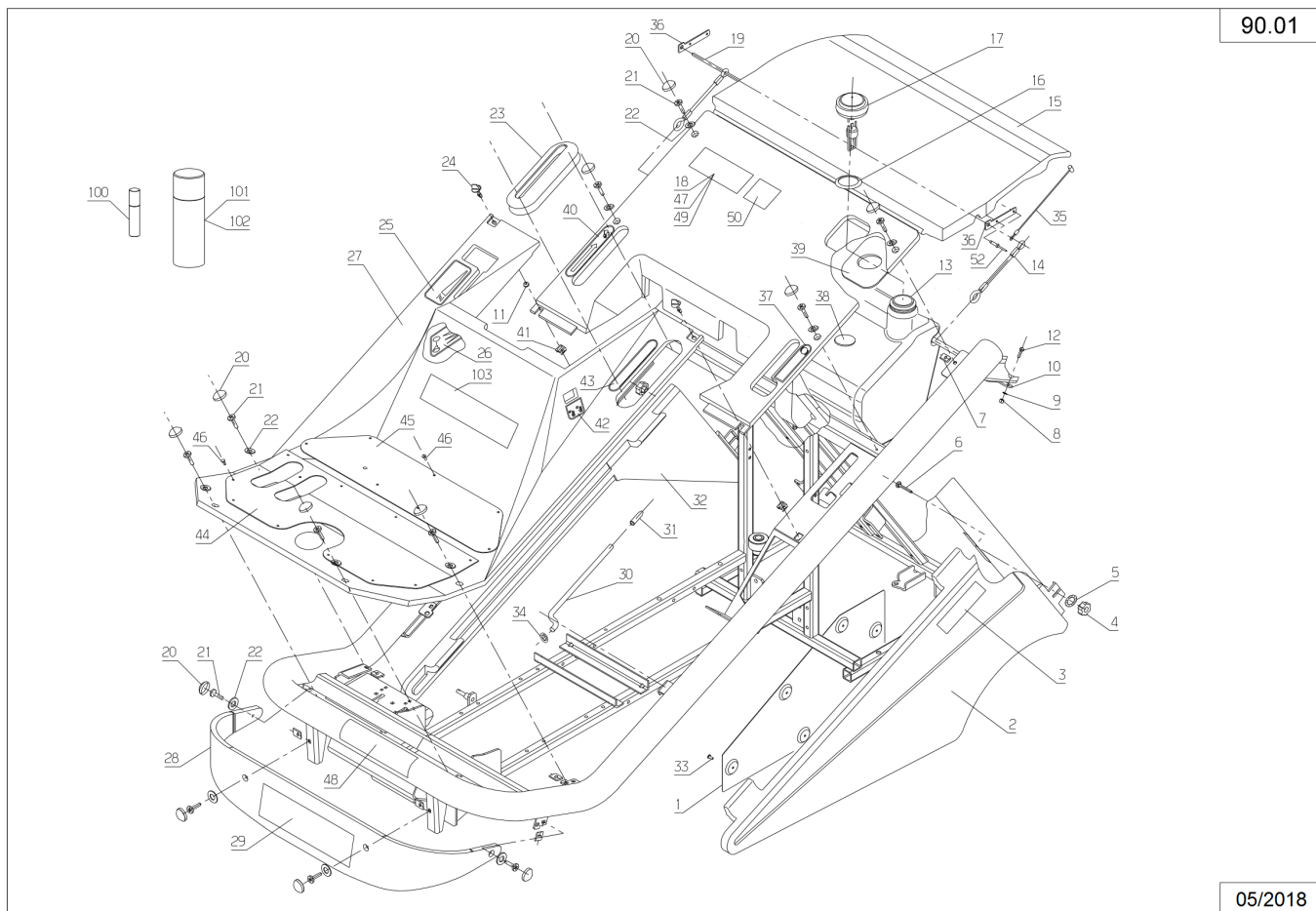
PL01843



03/2013

Numero	Codice	Nome	Quantità
1	28319	28319	1,000
2	28305	28305	1,000
3	13086	13086	1,000
4	28160	28160	1,000
5	71049	71049	1,000
6	21608	21608	1,000
7	21436	21436	1,000
8	37561	37561	1,000
9	20564	20564	1,000
10	28052	28052	1,000
11	28317	28317	1,000
12	2009	2009	1,000
13	28050	28050	1,000
14	28239	28239	1,000
15	28307	28307	1,000
16	28250	28250	1,000
17	28055	28055	1,000
18	13084	13084	1,000
19	28240	28240	1,000
20	28102	28102	1,000
21	71111	71111	1,000
22	28094	28094	1,000
23	28242	28242	1,000
24	28228	28228	1,000
25	13075	13075	1,000
26	13072	13072	1,000
27	28306	28306	1,000
28	28150	28150	1,000
29	13085	13085	1,000
30	28164	28164	1,000
31	28148	28148	1,000
32	28304	28304	1,000
33	71114	71114	1,000
34	6185	6185	1,000
35	28643	28643	1,000
36	28644	28644	1,000
37	13074	13074	1,000
38	25879	25879	1,000
39	28311	28311	1,000
40	13073	13073	1,000
41	28229	28229	1,000

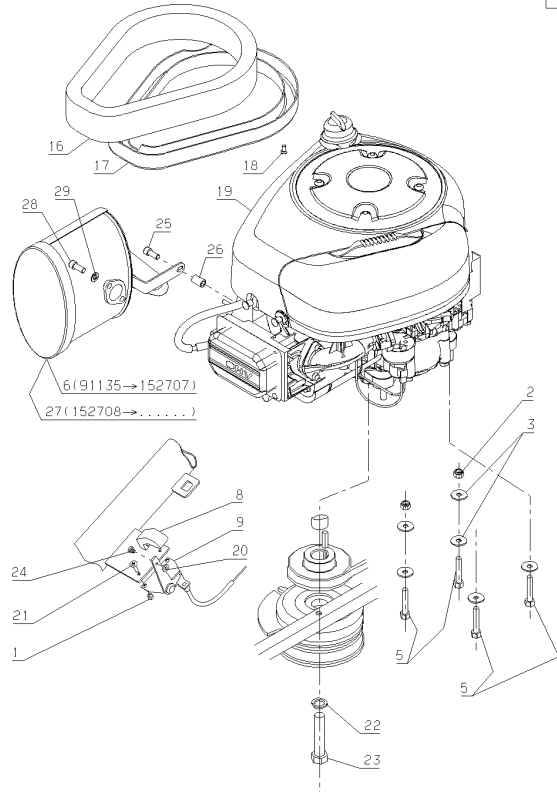
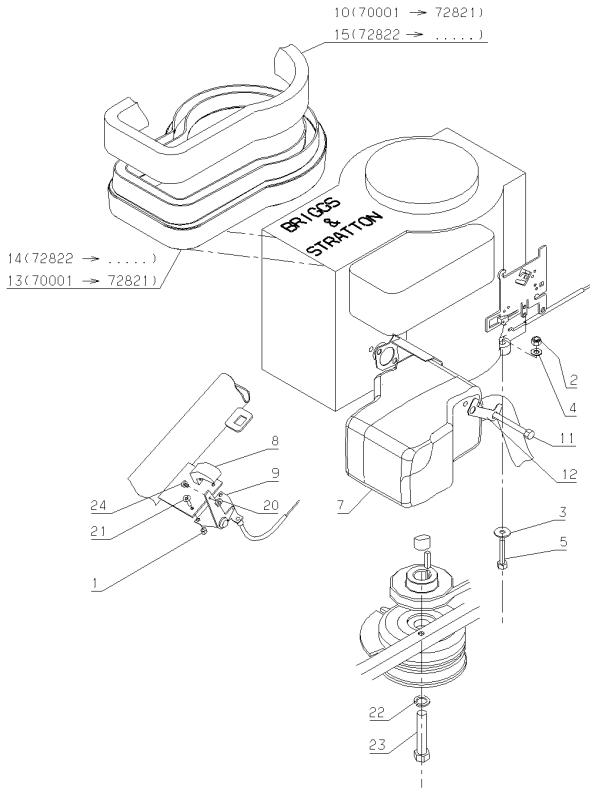
Numero	Codice	Nome	Quantità
42	13071	13071	1,000
43	13070	13070	1,000
44	28280	28280	1,000
45	28281	28281	1,000
46	71245	71245	1,000
47	13102	13102	1,000
48	13021	13021	1,000
49	13208	13208	1,000
50	13142	13142	1,000
52	71327	71327	1,000
100	25480	25480	1,000
101	25965	25965	1,000
102	25966	25966	1,000
103	13079	13079	1,000



Numero	Codice	Nome	Quantità
1	37561	37561	1,000
2	71205		1,000
3	7035	7035	1,000
4	7335		1,000
5	20513	20513	1,000
6	28611	28611	1,000
7	28086	28086	1,000
8	28177	28177	1,000
9	37820	37820	1,000
10	28223	28223	1,000
11	28322	28322	1,000
12	28330	28330	1,000
13	28387	28387	1,000
14	28399	28399	1,000
15	28400	28400	1,000
16	28637	28637	1,000
17	28612	28612	1,000
18	71406	71406	1,000
19	28610	28610	1,000
20	71225	71225	1,000
21	71128	71128	1,000
22	71159	71159	1,000
23	71208	71208	1,000
24	71224	71224	1,000
25	37523	37523	1,000
26	42019	42019	1,000
27	55672		1,000
28	71410	71410	1,000
29	71343	71343	1,000

MBHE

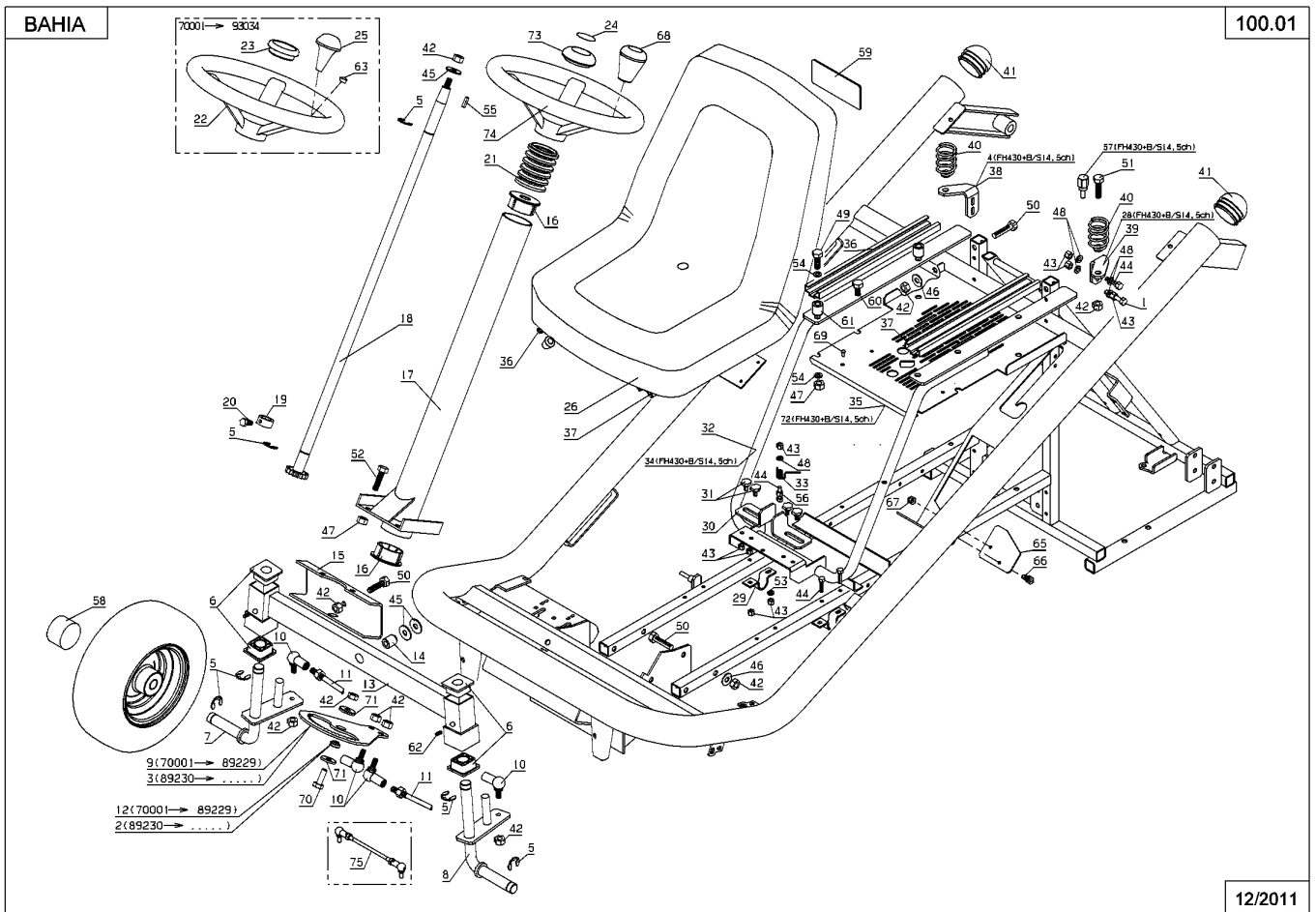
97.02













06/2009

Numero	Codice	Nome	Quantità
1	71288	71288	1,000
2	28608	28608	1,000
3	28609	28609	1,000
4	28598	28598	1,000
5	1513	1513	1,000
6	28024	28024	1,000
7	28401	28401	1,000
8	28402	28402	1,000
9	28201	28201	1,000
10	28047	28047	1,000
11	28536	28536	1,000
12	28114	28114	1,000
13	28403	28403	1,000
14	28025	28025	1,000
15	28028	28028	1,000
16	28111	28111	1,000
17	28300	28300	1,000
18	28430	28430	1,000
19	25728	25728	1,000
20	37997	37997	1,000
21	28110	28110	1,000
22	28033	28033	1,000
23	28155	28155	1,000
24	25330	25330	1,000
25	-	-	1,000
26	38057	38057	1,000
27	28573	28573	1,000
28	28599	28599	1,000
29	25711	25711	1,000
30	28205	28205	1,000
31	28137	28137	1,000
32	28414	28414	1,000
33	28206	28206	1,000
34	28586	28586	1,000
35	28022	28022	1,000
36	28140	28140	1,000
37	28017	28017	1,000
38	28049	28049	1,000
39	28203	28203	1,000
40	28112	28112	1,000
41	28056	28056	1,000

Numero	Codice	Nome	Quantità
42	9017	9017	1,000
43	71201		1,000
44	22456	22456	1,000
45	71238	71238	1,000
46	21036	21036	1,000
47	71205		1,000
48	21270	21270	1,000
49	7038	7038	1,000
50	71198	71198	1,000
51	71434	71434	1,000
52	9056	9056	1,000
53	2235	2235	1,000
54	7335		1,000
55	20606	20606	1,000
56	1557	1557	1,000
57	28645	28645	1,000
58	25176	25176	1,000
59	28308	28308	1,000
60	6169	6169	1,000
61	28296	28296	1,000
62	25301	25301	1,000
63	28294	28294	1,000
65	28381	28381	1,000
66	2009	2009	1,000
67	37561	37561	1,000
68	29923	29923	1,000
69	71114	71114	1,000
70	71110	71110	1,000
71	9009	9009	1,000
72	28585	28585	1,000
73	29978	29978	1,000
74	29900	29900	1,000

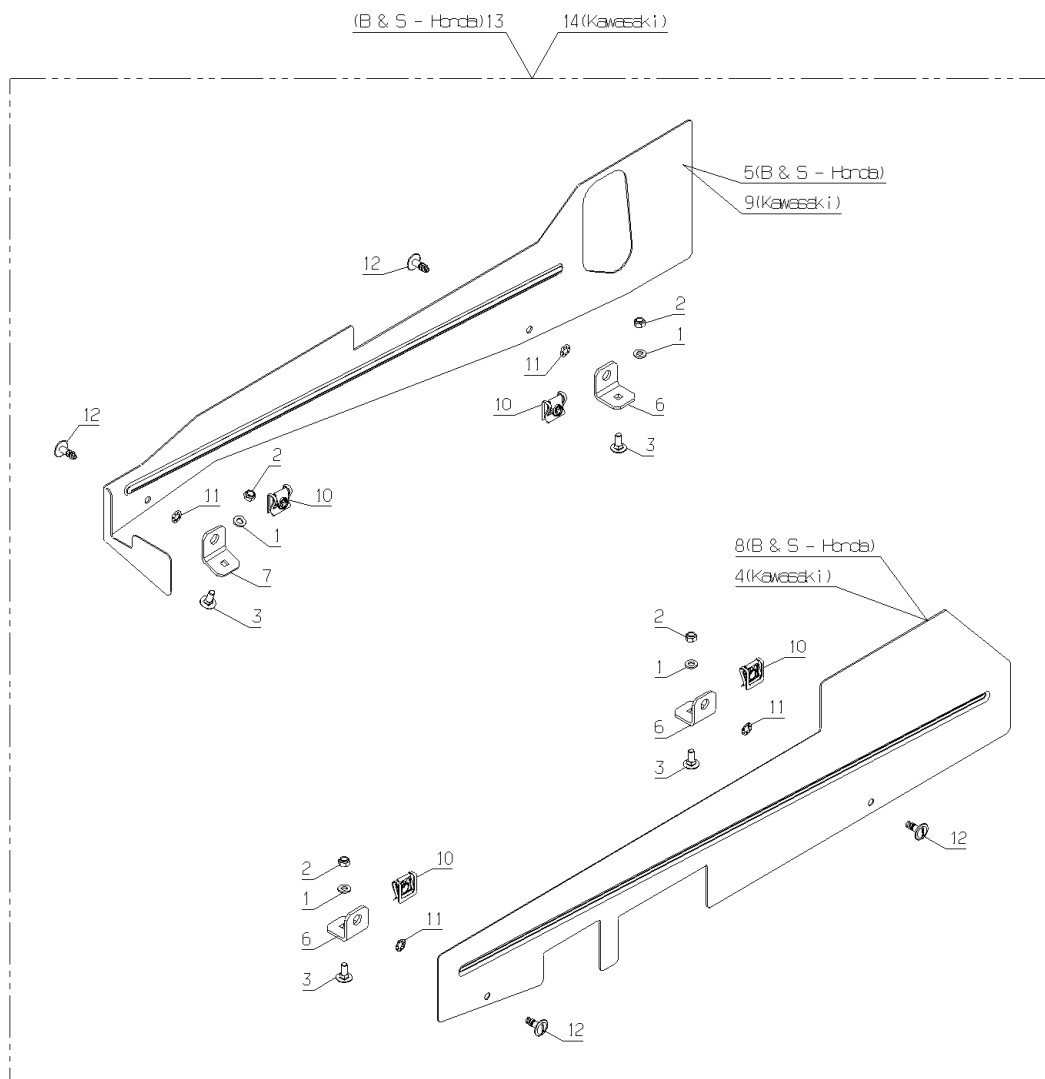


Numero	Codice	Nome	Quantità
1	28479	28479	1,000
2	28186	28186	1,000
3	28445	28445	1,000
4	28351	28351	1,000
5	28483	28483	1,000
6	28355	28355	1,000
7	28353	28353	1,000
9	28478	28478	1,000
10	28452	28452	1,000
11	28187	28187	1,000
12	28444	28444	1,000
13	28455	28455	1,000
14	28350	28350	1,000
15	28482	28482	1,000
16	28454	28454	1,000
18	28484	28484	1,000
19	28456	28456	1,000
20	28352	28352	1,000
21	25616	25616	1,000
22	28461	28461	1,000

BAHIA 102.01	TRELLEBORG	KENDA-NATIER SONAMIA	KENDA-NATIER SONAMIA
	16x6,5-8 1	16x6,5-8 2	
	16x6,5-8 3	16x6,5-8 4	
	5	6	
	7	8	
	10x6,5-6 9	4, 1x3,5-5 10	11x4-4 11
	10x6,5-6 12	4, 1x3,5-5 13	11x4-4 14
	6 pouces/zoll / inch 15	5 pouces/zoll / inch 16	4 pouces/zoll / inch 17
	18	19	20
		21	
		22	

Numero	Codice	Nome	Quantità
1	2235	2235	1,000
2	71201		1,000
3	21608	21608	1,000
4	37307	37307	1,000
5	37308	37308	1,000
6	37310	37310	1,000
7	37311	37311	1,000
8	37486	37486	1,000
9	37487	37487	1,000
10	37499	37499	1,000
11	37500	37500	1,000
12	37501	37501	1,000
13	37550	37550	1,000
14	37551	37551	1,000

PL01551



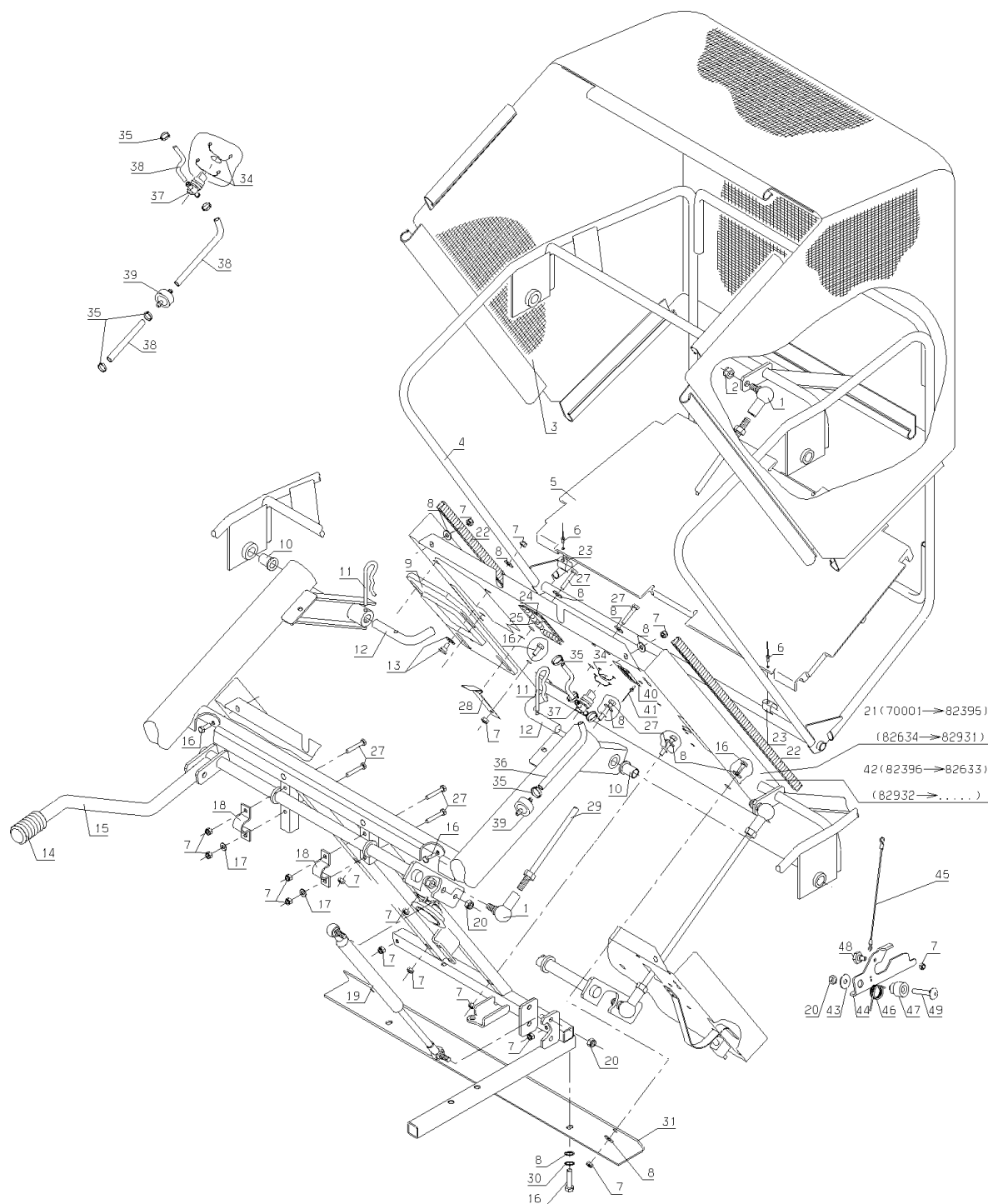
04/2010

Numero	Codice	Nome	Quantità
1	28047	28047	1,000
2	9017	9017	1,000
3	28087	28087	1,000
4	28408	28408	1,000
5	28095	28095	1,000
6	71241	71241	1,000
7	71201		1,000
8	21270	21270	1,000
9	28568	28568	1,000
10	28070	28070	1,000
11	71228	71228	1,000
12	28082	28082	1,000
13	28137	28137	1,000
14	28118	28118	1,000
15	28409	28409	1,000
16	37997	37997	1,000
17	2235	2235	1,000
18	25711	25711	1,000
19	51458	51458	1,000
20	71205		1,000
21	28295	28295	1,000
22	28254	28254	1,000
23	25886	25886	1,000
26	20619	20619	1,000
27	22456	22456	1,000
28	40016	40016	1,000
29	28168	28168	1,000
30	71049	71049	1,000
31	28362	28362	1,000
34	5202	5202	1,000
35	28323	28323	1,000
36	30281	30281	1,000
37	28324	28324	1,000
39	25266	25266	1,000
40	28068	28068	1,000
41	71114	71114	1,000
42	28522	28522	1,000
43	7035	7035	1,000
44	28547	28547	1,000
45	28549	28549	1,000
46	40063	40063	1,000

Numero	Codice	Nome	Quantità
47	28548	28548	1,000
49	20520	20520	1,000

MBHE-MHHE-MKHE

110.01



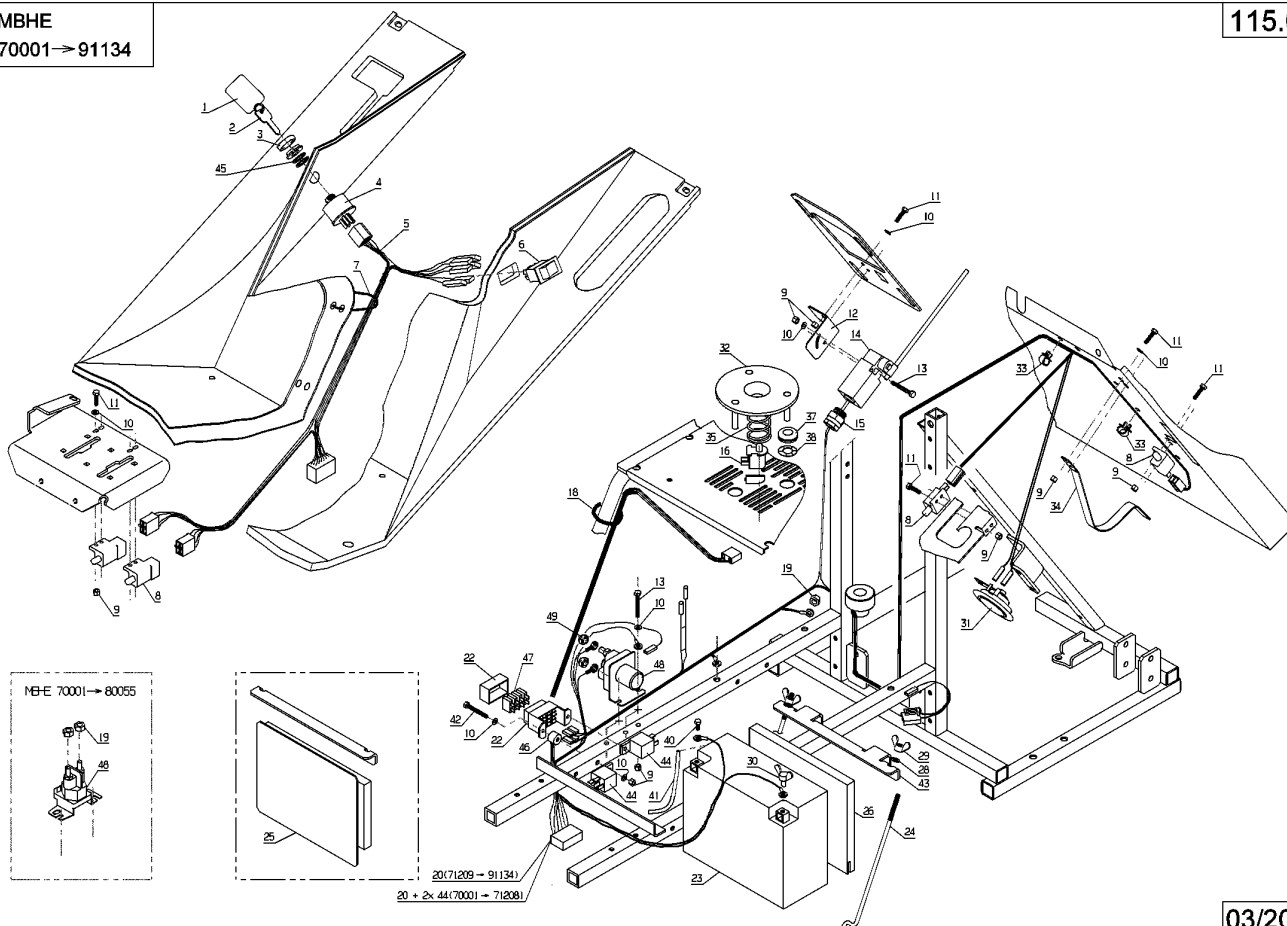
11/2007

Numero	Codice	Nome	Quantità
1	28310	28310	1,000
2	28388	28388	1,000
3	28382	28382	1,000
4	28384	28384	1,000
5	28291	28291	1,000
6	52494		1,000
7	5202	5202	1,000
8	28159	28159	1,000
9	37561	37561	1,000
10	20564	20564	1,000
11	2009	2009	1,000
12	28211	28211	1,000
13	5399	5399	1,000
14	28210	28210	1,000
15	29789	29789	1,000
16	28106	28106	1,000
17	28081	28081	1,000
18	21119	21119	1,000
19	71001	71001	1,000
20	28390	28390	1,000
22	25803	25803	1,000
23	52101		1,000
24	28164	28164	1,000
25	28244	28244	1,000
26	28015	28015	1,000
28	21270	21270	1,000
29	1504	1504	1,000
30	71236	71236	1,000
31	28209	28209	1,000
32	28279	28279	1,000
34	28073	28073	1,000
35	28293	28293	1,000
36	16604	16604	1,000
37	28292	28292	1,000
38	7377	7377	1,000
40	71168	71168	1,000
41	28329	28329	1,000
42	71167	71167	1,000
43	35675	35675	1,000
44	28392	28392	1,000
45	71016	71016	1,000

Numero	Codice	Nome	Quantità
46	28393	28393	1,000
47	25824	25824	1,000
49	28537	28537	1,000

MBHE
70001 → 91134

115.01



03/2013

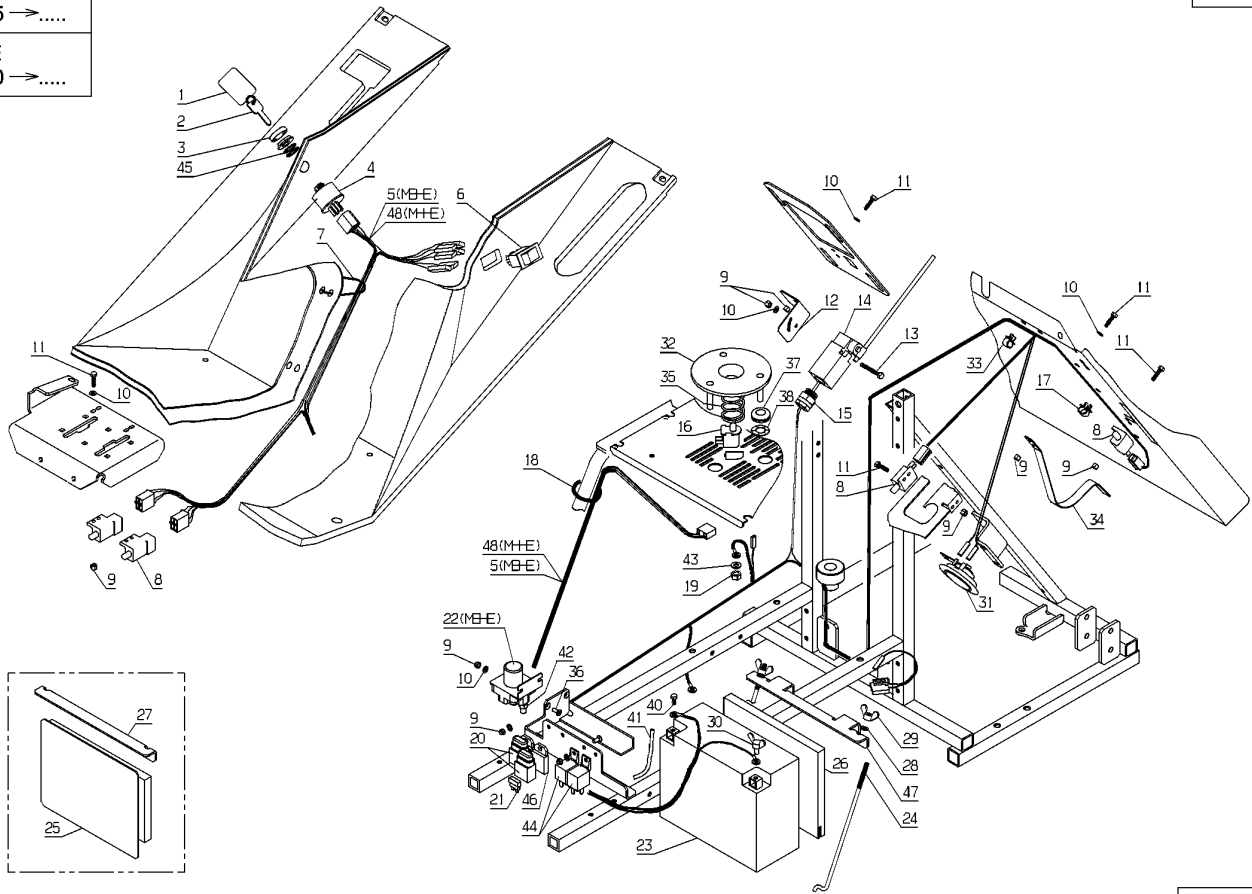
Numero	Codice	Nome	Quantità
1	28310	28310	1,000
2	28388	28388	1,000
3	28382	28382	1,000
4	28384	28384	1,000
5	28592	28592	1,000
6	52494		1,000
7	5202	5202	1,000
8	28159	28159	1,000
9	37561	37561	1,000
10	20564	20564	1,000
11	2009	2009	1,000
12	28211	28211	1,000
13	5399	5399	1,000
14	28210	28210	1,000
15	29789	29789	1,000
16	28106	28106	1,000
17	28081	28081	1,000
18	21119	21119	1,000
19	15849	15849	1,000
20	28582	28582	1,000
21	25824	25824	1,000
22	16604	16604	1,000
23	52101		1,000
24	28164	28164	1,000
25	28244	28244	1,000
26	28015	28015	1,000
27	28207	28207	1,000
28	21270	21270	1,000
29	1504	1504	1,000
30	71236	71236	1,000
31	28209	28209	1,000
32	28279	28279	1,000
34	28073	28073	1,000
35	28293	28293	1,000
36	20563	20563	1,000
37	28292	28292	1,000
38	7377	7377	1,000
39	28383	28383	1,000
40	71168	71168	1,000
41	28329	28329	1,000
42	28537	28537	1,000

Numero	Codice	Nome	Quantità
43	15848	15848	1,000
44	28392	28392	1,000
45	71016	71016	1,000
46	28594	28594	1,000
47	35675	35675	1,000
48	28640	28640	1,000

MBHE 14,5CH
91135 →

MHHE
93250 →

115.02

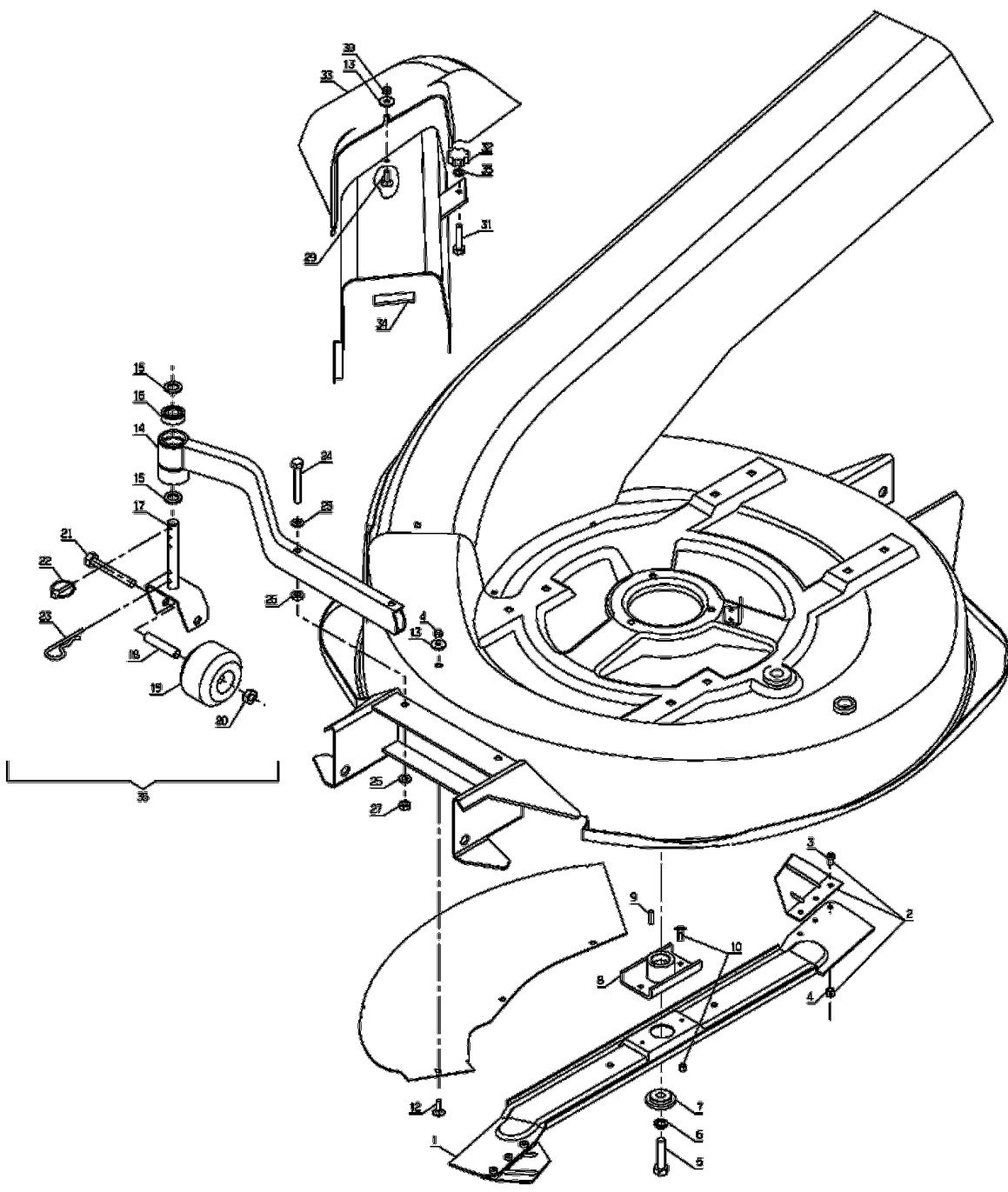


02/2012

Numero	Codice	Nome	Quantità
1	MZ80M	MZ80M	1,000
2	28486	28486	1,000
3	36489	36489	1,000
4	71201		1,000
5	71110	71110	1,000
6	71052	71052	1,000
7	28238	28238	1,000
8	28420	28420	1,000
9	20602	20602	1,000
10	26157	26157	1,000
12	5496	5496	1,000
13	22029	22029	1,000
14	28440	28440	1,000
15	9166	9166	1,000
16	9022	9022	1,000
17	28437	28437	1,000
18	28333	28333	1,000
19	28123	28123	1,000
20	9017	9017	1,000
21	71032	71032	1,000
22	71005	71005	1,000
23	71228	71228	1,000
24	20513	20513	1,000
25	7335		1,000
26	71126	71126	1,000
27	71205		1,000
29	71231	71231	1,000
30	37561	37561	1,000
31	71023	71023	1,000
32	28160	28160	1,000
33	28149	28149	1,000
34	28254	28254	1,000
35	71049	71049	1,000
36	MAS80		1,000

MBHE-MHHE-MKHE

130.01

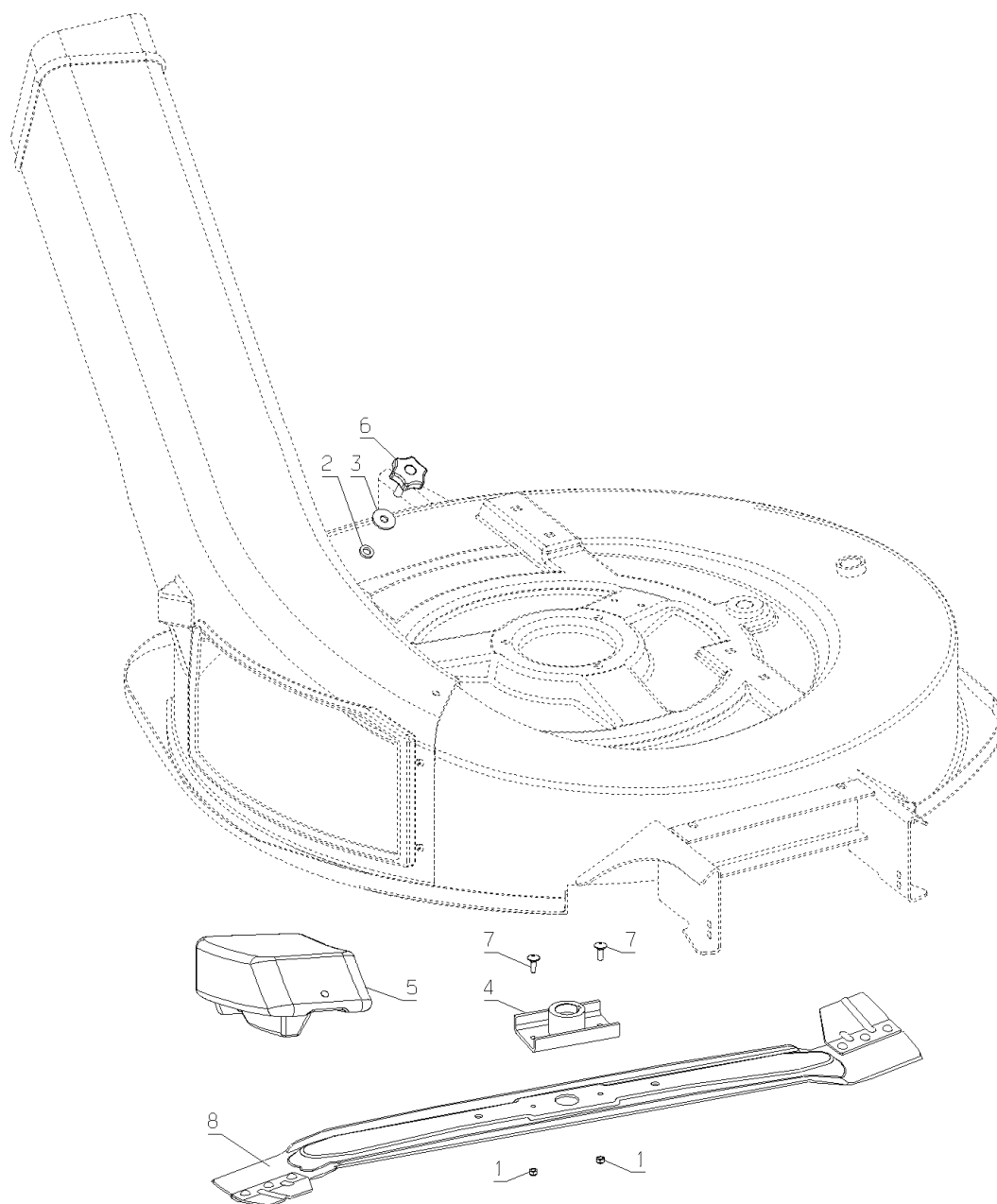


01/2014

Numero	Codice	Nome	Quantità
1	37561	37561	1,000
2	71343	71343	1,000
3	7035	7035	1,000
4	28420	28420	1,000
5	35936	35936	1,000
6	36152	36152	1,000
7	71231	71231	1,000
8	MZ80M	MZ80M	1,000

MU80N

PL01316

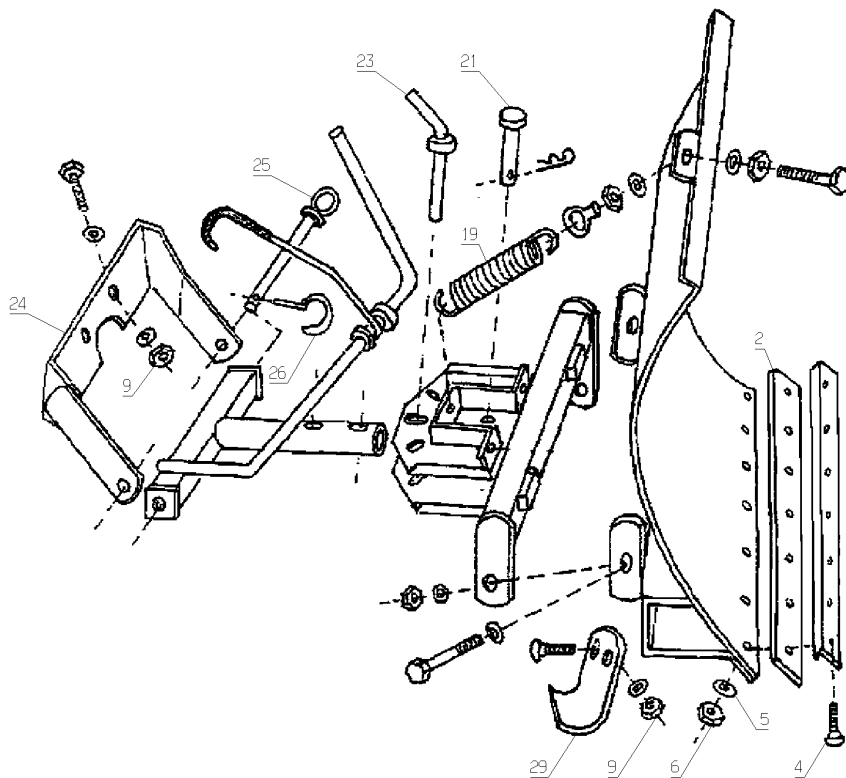


10/2007

Numero	Codice	Nome	Quantità
2	30553	30553	1,000
4	71251	71251	1,000
5	9009	9009	1,000
6	9017	9017	1,000
9	30633	30633	1,000
19	30565	30565	1,000
21	25469	25469	1,000
23	25470	25470	1,000
24	28344	28344	1,000
25	28360	28360	1,000
26	28361	28361	1,000
29	30557	30557	1,000

MV80

131.01



11/2006